

ABOUT US

Integral Engineering Group is a woman-owned small business (WOSB) owned and managed by engineers that focuses on offering best-in-class, multi-disciplinary engineering design services to the commercial chemical, specialty chemical, petrochemical, refining, nuclear, energy, and manufacturing industries.

NAICS CODES

- 541330 Engineering Services
- 541340 Drafting Services
- 541690 Other Technical Services
- 561320 Temporary Staffing

VENDOR CODES & DESIGNATIONS

- ❖ UEID: FDY2YZ7NCKE3
- ❖ DUNS: 116938967
- ❖ CAGE CODE: 883M9
- ❖ FACILITY CODE: 16606

CUSTOMERS

- ❖ BWX Technologies, Inc.
- ❖ Johnson Controls Federal Systems
- ❖ Tennessee Valley Authority (TVA)
- ❖ ExxonMobil Corporation
- ❖ BAE Systems Ordnance Systems
- ❖ Y-12 National Security Complex
- ❖ Pantex Plant
- ❖ Vacuum Technology, Inc.
- ❖ Air Force Global Strike Command
- ❖ Ultra Safe Nuclear Corporation

CERTIFICATIONS



CAPABILITY STATEMENT

CORE COMPETENCIES

We work collaboratively with our clients to provide them excellence in a wide range of engineering services – utilizing chemical, electrical, mechanical, and structural engineers and technicians who are experts in their respective fields. We support our clients to solve a wide range of critical engineering problems.

- ❖ General
 - Process Design (Multi-Disciplinary) & Project Management
 - Engineering & Technical Staff Augmentation
- ❖ Chemical / Process
 - Process Information Development & Documentation
 - Process Hazard and Risk Analysis (PHA / QRA / PRA)
 - Integrated Safety Analysis (ISA)
 - Safety Instrumented System (SIS) Design & Implementation
 - Process & Instrumentation Diagram (P&ID) Development
 - Alarm Management & Rationalization
- ❖ Mechanical
 - Drafting & 3D Modeling / BIM / 3D Laser Scanning
 - Piping, Equipment, & Instrument Specification
 - Pressure Vessel & Machine Design
 - Relief Device Sizing
 - Piping Design, Layout, & Stress Analysis
 - Building Ventilation & HVAC Design
 - Fire Protection System Design & Evaluation
- ❖ Structural
 - Structural & Seismic Assessment
 - Equipment Support & Anchorage Design
 - Containment Structure Design
 - Access Platform, Stairway, & Ladder Specification
 - Industrial Building Design
 - Blast-Resistant Structure Design
- ❖ Electrical
 - Control System & Power Design
 - Arc Flash Studies & Mitigation

CONTACT US

Integral Engineering Group, LLC
Phone: (865) 268-4270

520 W Summit Hill Drive, Ste 901
Knoxville, Tennessee 37902

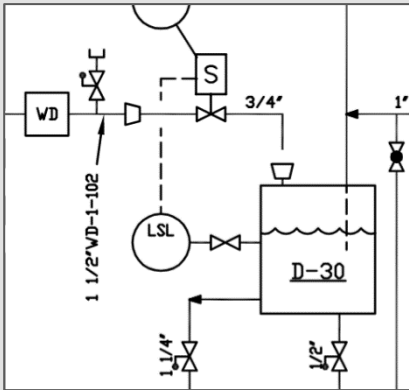
Website: www.iegroupllc.com
Email: info@iegroupllc.com





Scan for Past Performance

How Can Integral Engineering Group Help YOU?



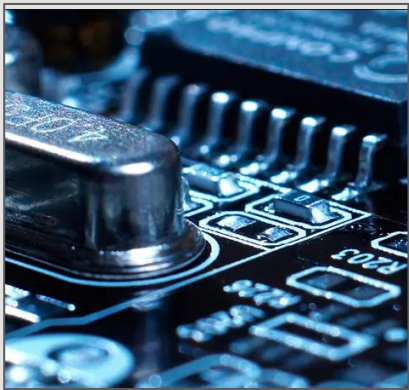
Process Engineering



Mechanical Engineering



Structural Engineering



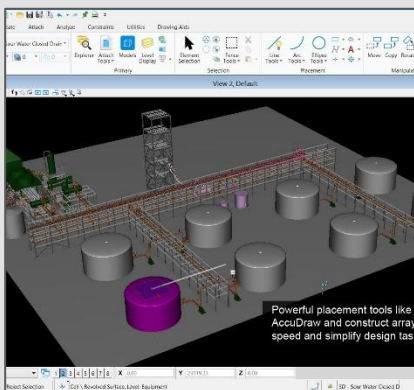
Electrical Engineering



Instrumentation and Controls



Piping Engineering



Drafting & 3D Modeling



Training



Staff Augmentation